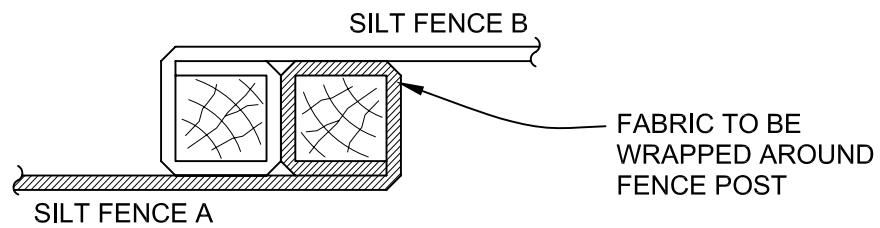
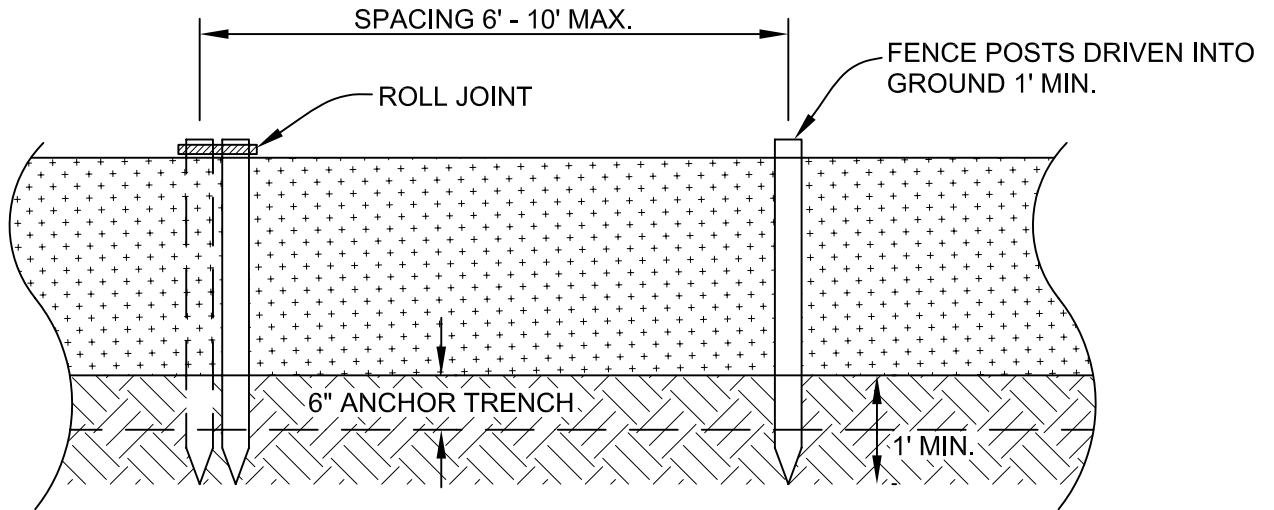
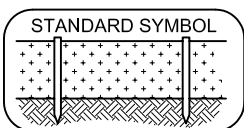
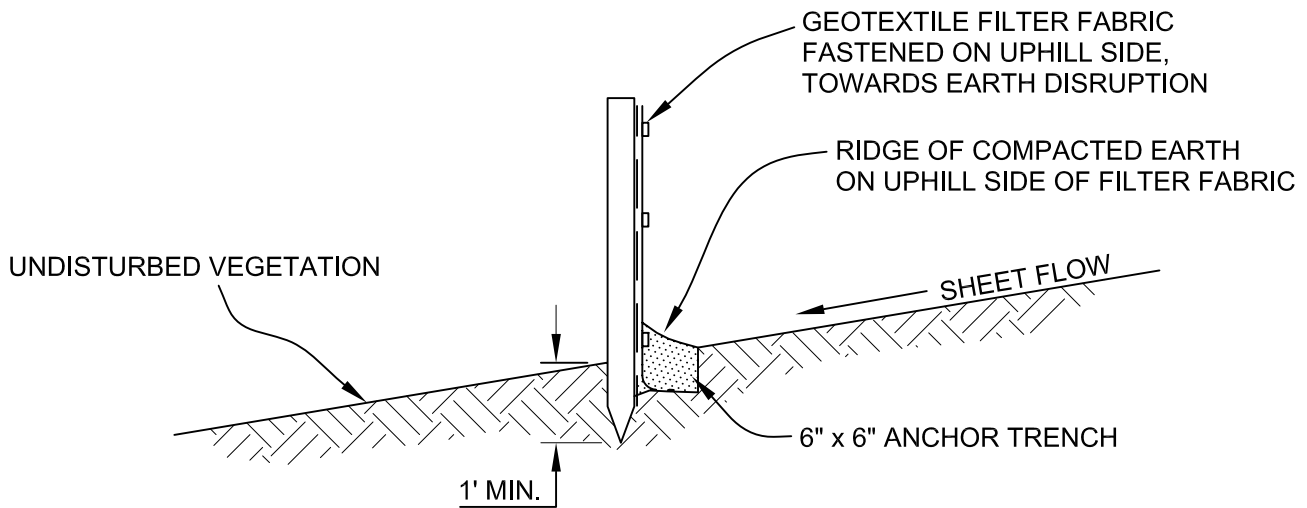


SILT FENCE



ROLL JOINTS



COUNTY OF CLINTON
SOIL EROSION AND
SEDIMENTATION
CONTROL